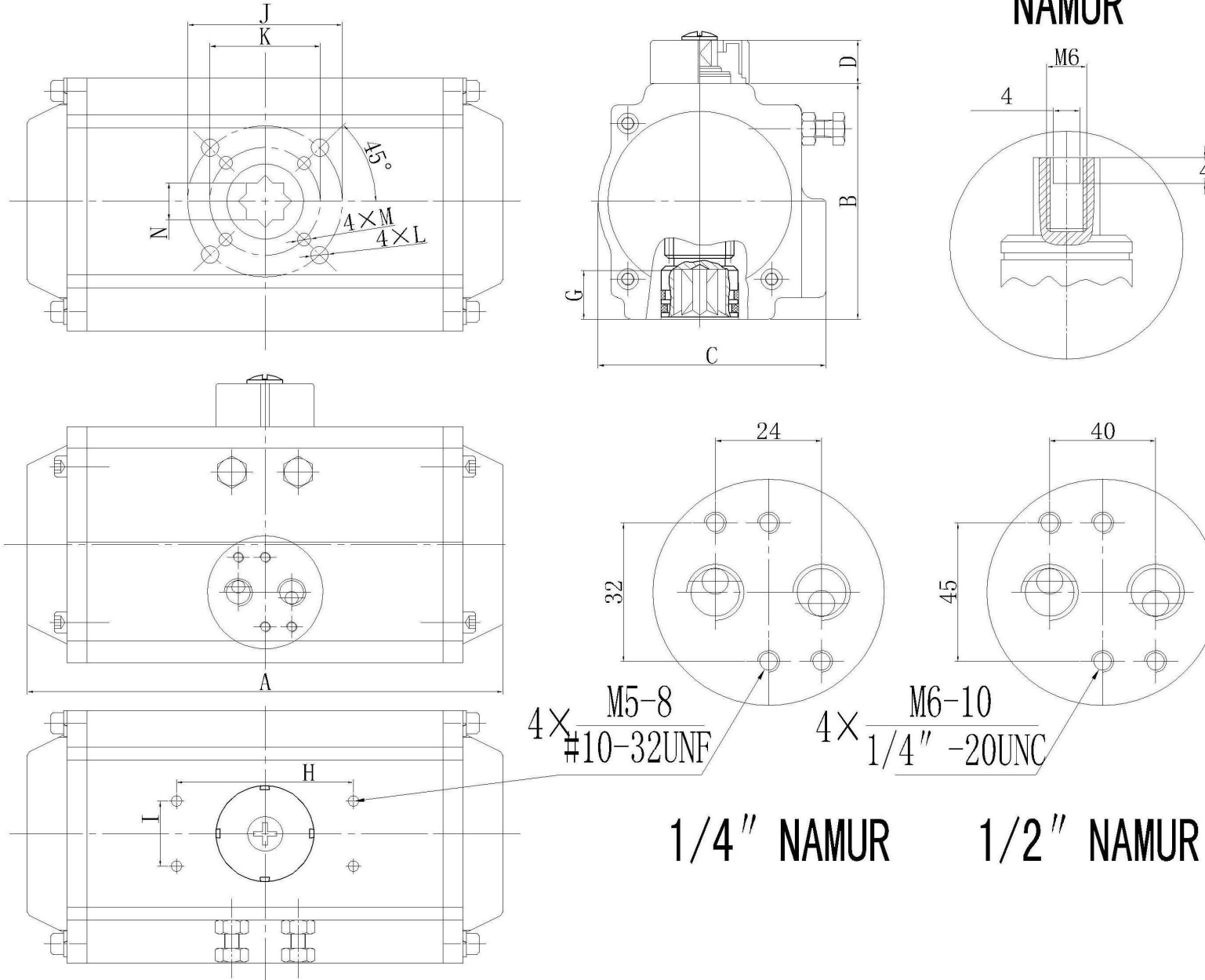


Pneumatic actuator mounting connection & dimension

NAMUR



Model	A	B	C	D	H×I	G	N	J	K	L	M	Air connection
XM032	110	45	45	20	50×25	12	9	Ø36		M5×7.5		G1/8"
XM040	122	60	65	20	80×30	14	11	Ø50	Ø36	M6×10	M5×7.5	NAMUR G1/4"
XM052	147	72	72	20	80×30	14	11	Ø50	Ø36	M6×10	M5×7.5	NAMUR G1/4"
XM063	172	88	83	20	80×30	18	14	Ø70	Ø50	M8×13	M6×10	NAMUR G1/4"
XM075	184	100	95	20	80×30	20	14	Ø70	Ø50	M8×13	M6×10	NAMUR G1/4"
XM083	204	109	103	20	80×30	21	17	Ø70	Ø50	M8×13	M6×10	NAMUR G1/4"
XM092	262	117	109	20	80×30	22	17	Ø70	Ø50	M8×13	M6×10	NAMUR G1/4"
XM105	268	133	121	20	80×30	26	22	Ø102	Ø70	M10×16	M8×13	NAMUR G1/4"
XM125	301	155	143	20	80×30	27	22	Ø102	Ø70	M10×16	M8×13	NAMUR G1/4"
XM140	394	173	152	20	80×30	32	27	Ø125	Ø102	M12×20	M10×16	NAMUR G1/4"
XM160	458	198	174	20	80×30	34	27	Ø125	Ø102	M12×20	M10×16	NAMUR G1/4"
XM190	528	232	206	30	130×30	40	36	Ø140		M16×24		NAMUR G1/4"
XM210	532	257	226	30	130×30	40	36	Ø140		M16×24		NAMUR G1/4"
XM240	660	291	260	30	130×30	50	46	Ø165		M20×25		NAMUR G1/4"
XM270	740	330	294	30	130×30	50	46	Ø165		M20×25		NAMUR G1/2"
XM300	798	354	336	30	130×30	60	46	Ø165		M20×25		NAMUR G1/2"
XM350	880	408	385	30	130×30	60	46	Ø165		M20×25		NAMUR G1/2"
XM400	950	464	516	30	130×30	60	55	Ø254	Ø165	8-M16×25	M20×25	NAMUR G1/2"

Output torque of double acting pneumatic actuator

Double acting						
Model	Air supply pressure(unit: bar)					
	3.0	4.0	5.0	6.0	7.0	8.0
	Output torque (Nm)					
XM-DA032	4.6	6.1	7.6	9.2	10.7	12.2
XM-DA040	7.2	9.6	12.0	14.4	16.8	19.2
XM-DA052	12.0	16.0	20.0	24.0	28.0	32.0
XM-DA063	21.7	28.9	36.0	43.4	50.6	57.8
XM-DA075	30.0	40.0	50.0	60.0	70.0	80.0
XM-DA083	46.8	62.4	78.0	93.6	109.2	124.8
XM-DA092	67.6	90.1	112.6	135.2	157.7	180.2
XM-DA105	97.7	130.3	162.9	195.5	228.0	260.6
XM-DA125	150.5	200.6	250.8	301.0	351.1	401.3
XM-DA140	260.7	347.6	433.8	521.4	608.3	695.2
XM-DA160	397.2	529.6	662.0	794.4	926.8	1059.2
XM-DA190	640.2	853.6	1067.0	1280.4	1493.8	1707.2
XM-DA210	798.0	1064.0	1330.0	1596.0	1862.0	2128.0
XM-DA240	1154.3	1539.0	1923.8	2308.5	2693.3	3078.0
XM-DA270	1755.0	2340.0	2924.0	3510.0	4095.0	4680.0
XM-DA300	2291.4	3055.2	3819.0	4582.8	5346.6	6110.4
XM-DA350	3426.0	4568.0	5710.0	6852.0	7994.0	9136.0
XM-DA400	4872.0	6496.0	8120.0	9744.0	11368.0	12992.0

Output torque of single acting pneumatic actuator

Single acting (spring return)													
Model	Spring Qty	Spring output (Nm)		Air supply pressure(unit: bar)									
				3.0		4.0		5.0		6.0		7.0	
		Output torque (Nm)											
		0 •	90 •	0 •	90 •	0 •	90 •	0 •	90 •	0 •	90 •	0 •	90 •
XM-SR052	5	4.0	6.2	8.1	5.8	12.1	9.8						
	6	4.7	7.4	7.3	4.6	11.3	8.6						
	7	5.5	8.7	6.5	3.3	10.5	7.3	14.5	11.3				
	8	6.3	9.9			9.7	6.1	13.7	10.1				
	9	7.1	11.2			8.9	4.8	12.9	8.8	16.9	12.8		
	10	7.9	12.4			8.1	3.6	12.1	7.6	16.1	11.6	20.1	15.6
	11	8.7	13.6			7.3	2.4	11.3	6.4	15.3	10.4	19.3	14.4
	12	9.5	14.9					10.5	5.1	14.5	9.1	18.5	13.1
XM-SR063	5	6.8	10.4	14.9	11.3	22.1	18.5						
	6	8.2	12.5	13.5	9.2	20.7	16.4						
	7	9.6	14.6	12.1	7.1	19.3	14.3	26.5	21.5				
	8	10.9	16.7			18.0	12.2	25.2	19.4				
	9	12.3	18.9			16.6	10.0	23.8	17.2	31.1	24.5		
	10	13.7	20.9			15.2	8.0	22.4	15.2	29.7	22.5	36.9	29.7
	11	15.0	22.9					21.1	13.2	28.4	20.5	35.6	27.7
	12	16.4	25.0					19.7	11.1	27.0	18.4	34.2	25.6
XM-SR075	5	10.0	15.0	20.0	15.0	30.0	25.0						
	6	12.0	18.0	18.0	12.0	28.0	22.0						
	7	14.0	21.0	16.0	9.0	26.0	19.0						
	8	16.0	24.0			24.0	16.0	34.0	26.0				
	9	18.0	27.0			22.0	13.0	32.0	23.0	42.0	33.0		
	10	20.0	30.0			20.0	10.0	30.0	20.0	40.0	30.0	50.0	40.0
	11	22.0	33.0			18.0	7.0	28.0	17.0	38.0	27.0	48.0	37.0
	12	24.0	36.0					26.0	14.0	36.0	24.0	46.0	34.0
XM-SR083	5	15.5	23.0	30.5	23.0	46.5	39.0						
	6	18.6	27.6	27.4	18.4	43.4	34.4						
	7	21.7	32.2			40.3	29.8	56.3	45.8				
	8	24.8	36.8			37.2	25.2	53.2	41.2				

	9	27.9	41.4			34.1	20.6	50.1	36.6	65.1	51.6		
	10	31.0	46.0			31.0	16.0	47.0	32.0	62.0	47.0	77.0	62.0
	11	34.1	50.6					43.9	27.4	58.9	42.4	73.9	57.4
	12	37.2	55.2					40.8	22.8	55.8	37.8	70.8	52.8
XM-SR092	5	23.0	33.0	44.6	34.7	67.1	57.2						
	6	27.6	39.5	40.0	28.1	62.5	50.6						
	7	32.2	46.1			57.9	44.0	80.4	66.5				
	8	36.8	52.7			53.3	37.4	75.8	59.9				
	9	41.4	59.3			48.7	30.8	71.2	53.3	93.8	75.9		
	10	46.0	65.9			44.1	24.2	66.6	46.7	89.2	69.3	111.7	91.8
	11	50.6	72.5					62.0	40.1	84.6	62.7	107.1	85.2
	12	55.2	79.1					57.4	33.5	80.0	56.1	102.5	78.6
XM-SR105	5	31.8	49.3	66.0	48.4	98.6	81.0						
	6	38.1	59.2	59.6	38.5	92.2	71.1						
	7	44.5	69.0			85.9	61.3	118.5	93.9				
	8	50.8	78.9			79.5	51.4	112.1	84.0				
	9	57.2	88.7			73.2	41.6	105.8	74.2	138.4	106.8		
	10	63.5	98.6			66.8	31.7	99.4	64.3	132.0	96.9	164.5	129.4
	11	69.9	108.5					93.1	54.4	125.7	87.0	158.2	119.5
	12	76.2	118.3					86.7	44.6	119.3	77.2	151.8	109.7
XM-SR125	5	50.0	78.0	100	72	150	122						
	6	60.0	93.6	90	56	140	106						
	7	70.0	109.2			130	91	181	142				
	8	80.0	124.8			120	75	171	126				
	9	90.0	140.4			110	60	161	110	211	161		
	10	100.0	156.0			100	44	151	95	201	145	251	195
	11	110.0	171.6					141	79	191	129	241	179
	12	120.0	187.2					131	64	181	114	231	164
XM-SR140	5	86.0	129.0	174	131	261	218						
	6	103.2	154.8	157	105	244	192						
	7	120.4	180.6			227	166	314	253				
	8	137.6	206.4			209	141	296	228				
	9	154.8	232.2			192	115	279	202	366	289		
	10	172.0	258.0			175	89	262	176	349	263	436	350
	11	189.2	283.8					245	150	332	237	585	324

	12	206.4	309.6					228	124	315	211	402	298
XM-SR160	5	139.5	192.5	258	205	390	337						
	6	167.4	231.0	230	166	362	298						
	7	195.3	269.5			334	260	467	393				
	8	223.2	308.0			306	221	439	354				
	9	251.1	346.5			278	183	411	316	543	448		
	10	279.0	385.0			250	144	383	277	515	409	647	541
	11	306.9	423.5					355	239	487	371	619	503
	12	334.8	462.0					327	200	459	332	591	464
XM-SR190	5	190	320	451	320	664	533						
	6	227	384	413	256	626	469						
	7	265	448			588	405	802	619				
	8	303	512			550	341	764	555				
	9	341	576			512	277	726	491	939	704		
	10	379	640			474	213	688	427	901	640	1114	853
	11	417	704					650	363	863	576	1076	789
	12	455	768					612	299	825	512	1038	725
XM-SR210	5	261	440	619	439	912	732						
	6	313	528	566	351	859	644						
	7	365	616			807	556	1101	850				
	8	417	704			755	468	1049	762				
	9	469	792			703	380	997	674	1290	967		
	10	521	880			651	292	945	586	1238	879	1531	1172
	11	573	968					893	498	1186	791	1479	1084
	12	625	1056					841	410	1134	703	1427	996
XM-SR240	5	389	583	766	572	1151	957						
	6	467	700	688	455	1073	840						
	7	545	816			995	724	1379	1108				
	8	622	933			918	607	1302	991				
	9	700	1049			840	491	1224	875	1610	1261		
	10	778	1166			762	374	1146	758	1532	1144	1916	1528
	11	856	1283					1068	641	1454	1027	1838	1411
	12	934	1399					990	525	1376	911	1760	1295
XM-SR270	5	505	960	1434	979	2080	1625						
	6	606	1152	1333	787	1979	1433						

	7	707	1344			1878	1241	2523	1886				
	8	808	1536			1777	1049	2422	1694				
	9	909	1728			1676	857	2321	1502	2967	2148		
	10	1010	1920			1575	665	2220	1310	2866	1956	3513	2603
	11	1111	2112					2119	1118	2765	1764	3412	2411
	12	1212	2304					2018	926	2664	1572	3311	2219
XM-SR300	5	725	1145	1522	1102	2271	1851						
	6	870	1374	1377	873	2126	1622						
	7	1015	1603			1981	1393	2730	2142				
	8	1160	1832			1836	1164	2585	1913				
	9	1305	2061			1691	935	2440	1684	3189	2433		
	10	1450	2290			1546	706	2295	1455	3044	2204	3793	2953
	11	1595	2519					2150	1226	2899	1975	3648	2724
	12	1740	2748					2005	997	2754	1746	3503	2495
XM-SR350	5	1173	1703	2003	1474	3145	2616						
	6	1408	2043	1768	1133	2910	2275						
	7	1642	2384			2676	1935	3818	3077				
	8	1877	2724			2441	1594	3583	2736				
	9	2111	3065			2207	1254	3349	2396	4491	3538		
	10	2346	3405			1972	913	3114	2055	4256	3197	5398	4339
	11	2581	3746					2879	1715	4021	2857	5413	3999
	12	2815	4086					2645	1374	3787	2516	4928	3658
XM-SR400	7	1837	2881	2812	1768								
	8	2099	3292	2550	1225								
	9	2362	3704	2259	768	3887	2396						
	10	2624	4115	1967	311	3595	1939	5223	3567				
	11	2886	4527			3303	1482	4931	3110	6559	4738		
	12	3149	4938			3012	1025	4641	2653	6268	4281	7895	5908
	13	3411	5350					4348	2195	5976	3823	7603	5450
	14	3674	5761					4057	1738	5685	3366	7312	4993
	15	3936	6173					3765	1281	5393	2909	7020	4536
	16	4198	6584							5101	2452	6728	4079